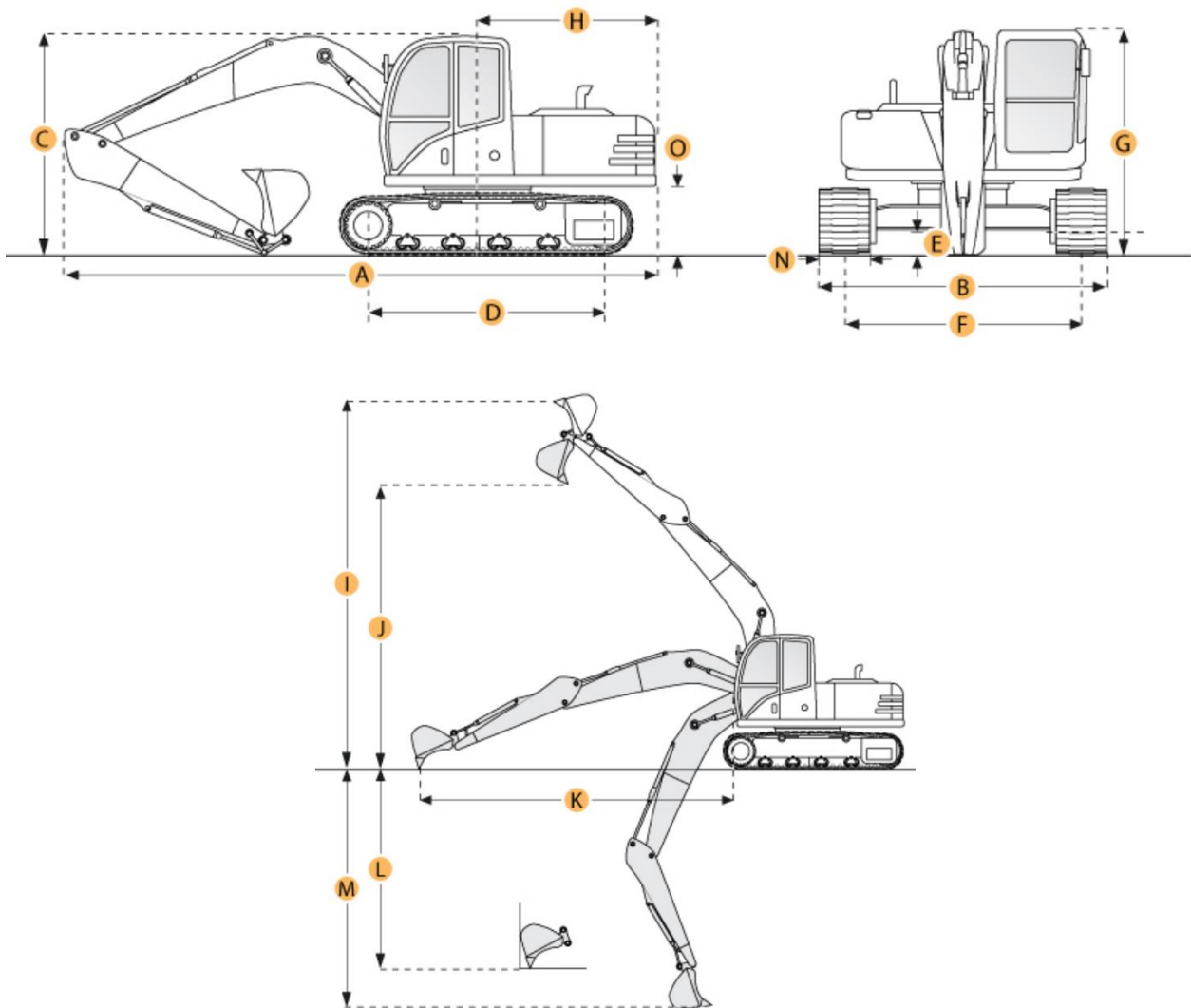


KOMATSU PC200EN-6



A. SHIPPING LENGTH OF UNIT	29.1 ft in	8860 mm
C. SHIPPING HEIGHT OF UNIT	10.3 ft in	3125 mm
I. MAX CUTTING HEIGHT	28.8 ft in	8775 mm
J. MAX LOADING HEIGHT	20.1 ft in	6130 mm
K. MAX REACH ALONG GROUND	26.8 ft in	8180 mm
L. MAX VERTICAL WALL DIGGING DEPTH	14.8 ft in	4506 mm
M. MAX DIGGING DEPTH	17.1 ft in	5200 mm

Dimensions

B. WIDTH TO OUTSIDE OF TRACKS	8.2 ft in	2490 mm
D. LENGTH OF TRACK ON GROUND	10.7 ft in	3260 mm
E. GROUND CLEARANCE	1.5 ft in	442 mm
G. HEIGHT TO TOP OF CAB	9.4 ft in	2871 mm
H. TAIL SWING RADIUS	8.7 ft in	2656 mm
O. COUNTERWEIGHT CLEARANCE	3.4 ft in	1030 mm

Undercarriage

F. TRACK GAUGE	6.5 ft in	1990 mm
N. SHOE SIZE	19.7 in	500 mm

Specification

Engine

MAKE	Komatsu	
MODEL	S6D102	
GROSS POWER	135 hp	100.7 kw
NET POWER	128 hp	95.4 kw
POWER MEASURED @	2200 rpm	
DISPLACEMENT	358.8 cu in	5.9 L
ASPIRATION	Turbocharged	
NUMBER OF CYLINDERS	6	

Operational

OPERATING WEIGHT	41887.8 lb	19000 kg
FUEL CAPACITY	66 gal	250 L
COOLING SYSTEM FLUID CAPACITY	5.9 gal	22.2 L
HYDRAULIC SYSTEM FLUID CAPACITY	31.7 gal	120 L
ENGINE OIL CAPACITY	7 gal	26.3 L
SWING DRIVE FLUID CAPACITY	1.1 gal	4 L
OPERATING VOLTAGE	24 V	
ALTERNATOR SUPPLIED AMPERAGE	45 amps	
HYDRAULIC SYSTEM RELIEF VALVE PRESSURE	5049.3 psi	34813.6 kPa
HYDRAULIC PUMP FLOW CAPACITY	81.1 gal/min	307 L/min

Swing Mechanism

SWING SPEED	12 rpm	
-------------	--------	--

Undercarriage

NUMBER OF SHOES PER SIDE	45	
SHOE SIZE	19.7 in	500 mm
NUMBER OF CARRIER ROLLERS PER SIDE	2	
NUMBER OF TRACK ROLLERS PER SIDE	7	
GROUND PRESSURE	7.7 psi	53.1 kPa
MAX TRAVEL SPEED	3.1 mph	5 km/h
DRAWBAR PULL	36597 lb	162.8 kN
TRACK GAUGE	6.5 ft in	1990 mm

Buckets

REFERENCE BUCKET CAPACITY	0.99 yd ³	0.76 m ³
MINIMUM BUCKET CAPACITY	0.52 yd ³	0.4 m ³
MAXIMUM BUCKET CAPACITY	1.6 yd ³	1.2 m ³

Boom/Stick Option (HEX) 1

BOOM/STICK OPTION (HEX) 1	Monoboom w/ stick 1850mm	
SHIPPING HEIGHT OF UNIT	10.3 ft in	3125 mm
SHIPPING LENGTH OF UNIT	29.1 ft in	8860 mm
MAX DIGGING DEPTH	17.1 ft in	5200 mm
MAX REACH ALONG GROUND	26.8 ft in	8180 mm
MAX CUTTING HEIGHT	28.8 ft in	8775 mm
MAX LOADING HEIGHT	20.1 ft in	6130 mm
MAX VERTICAL WALL DIGGING DEPTH	14.8 ft in	4506 mm

Boom/Stick Option (HEX) 2

BOOM/STICK OPTION (HEX) 2	Monoboom w/ stick 2250mm	
SHIPPING HEIGHT OF UNIT	9.7 ft in	2960 mm
SHIPPING LENGTH OF UNIT	28.9 ft in	8800 mm
MAX DIGGING DEPTH	18.4 ft in	5610 mm
MAX REACH ALONG GROUND	27.9 ft in	8510 mm
MAX CUTTING HEIGHT	29 ft in	8840 mm
MAX LOADING HEIGHT	20.4 ft in	6230 mm
MAX VERTICAL WALL DIGGING DEPTH	16.5 ft in	5036 mm

Boom/Stick Option (HEX) 3

BOOM/STICK OPTION (HEX) 3	Monoboom w/ stick 2620mm	
SHIPPING HEIGHT OF UNIT	9.7 ft in	2965 mm
SHIPPING LENGTH OF UNIT	28.9 ft in	8800 mm
MAX DIGGING DEPTH	19.6 ft in	5960 mm
MAX REACH ALONG GROUND	28.9 ft in	8800 mm
MAX CUTTING HEIGHT	29.2 ft in	8900 mm
MAX LOADING HEIGHT	20.7 ft in	6320 mm
MAX VERTICAL WALL DIGGING DEPTH	18.7 ft in	5690 mm

Boom/Stick Option (HEX) 4

BOOM/STICK OPTION (HEX) 4	Monoboom w/ stick 2900mm	
SHIPPING HEIGHT OF UNIT	10 ft in	3055 mm
SHIPPING LENGTH OF UNIT	28.9 ft in	8805 mm
MAX DIGGING DEPTH	20.5 ft in	6250 mm
MAX REACH ALONG GROUND	29.8 ft in	9075 mm
MAX CUTTING HEIGHT	29.7 ft in	9055 mm
MAX LOADING HEIGHT	21.2 ft in	6470 mm
MAX VERTICAL WALL DIG DEPTH	18.8 ft in	5743 mm

Boom/Stick Option (HEX) 5

BOOM/STICK OPTION (HEX) 5	Two piece boom w/ stick 1850mm	
MAX DIGGING DEPTH	16.6 ft in	5050 mm
MAX REACH ALONG GROUND	27 ft in	8232 mm
MAX CUTTING HEIGHT	29.7 ft in	9064 mm
MAX LOADING HEIGHT	21 ft in	6388 mm
MAX VERTICAL WALL DIG DEPTH	13.4 ft in	4075 mm

Boom/Stick Option (HEX) 6

BOOM/STICK OPTION (HEX) 6	Two piece boom w/ stick 2250mm	
MAX DIGGING DEPTH	17.9 ft in	5445 mm
MAX REACH ALONG GROUND	28.2 ft in	8585 mm
MAX CUTTING HEIGHT	30.2 ft in	9214 mm
MAX LOADING HEIGHT	21.5 ft in	6553 mm
MAX VERTICAL WALL DIG DEPTH	14.5 ft in	4417 mm

Dimensions

WIDTH TO OUTSIDE OF TRACKS	8.2 ft in	2490 mm
HEIGHT TO TOP OF CAB	9.4 ft in	2871 mm
GROUND CLEARANCE	1.5 ft in	442 mm
COUNTERWEIGHT CLEARANCE	3.4 ft in	1030 mm
TAIL SWING RADIUS	8.7 ft in	2656 mm
LENGTH OF TRACK ON GROUND	10.7 ft in	3260 mm